

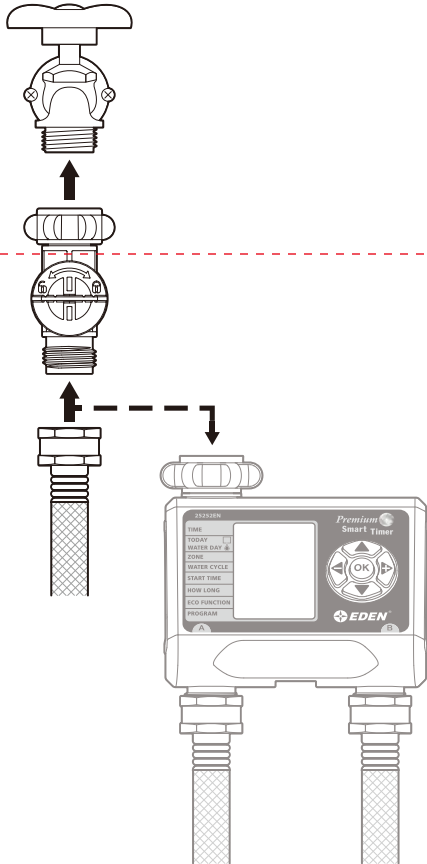
3/4" INLINE WATER FILTER

- Easy to install, remove & clean
- Maximum water pressure: 120 psi
- Fits most 3/4" hose & pipe connections (including water timers)



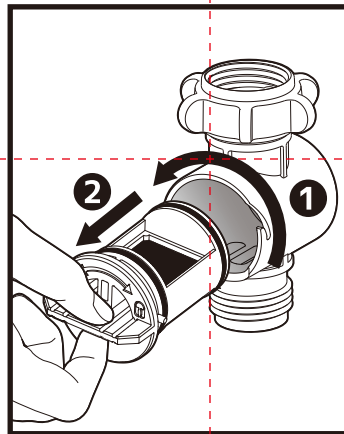
Unique, one of a kind, water filtration device reduces sediment clogging watering accessories. Easy to clean filtration meshes with just water. No more wasted time cleaning accessories extending the life of your watering tools.

Installation



Step 1

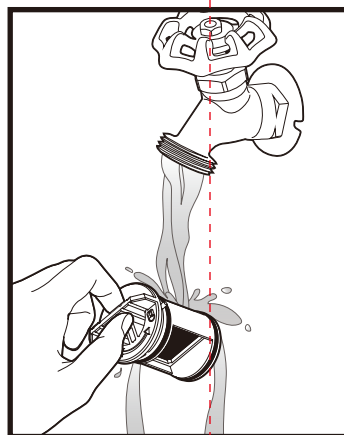
- Simply connect knob end to water faucet or water supply. Connect a garden hose or water timer to the outlet end of the filter.



Step 2

Clean and inspect the filter:

- Turn the red handle counter-clockwise until the filter ejects.



Step 3

- Rinse under cold water. Do not use brush or other tools to remove sediment to avoid damage.
- Reinsert filter by turning clockwise until it stops. *(foolproof realignment to proper position)*

⚠ CAUTION ⚠

- For outdoor use with cold water only
- Do not spray near electrical connections
- When not in use, rinse the tool with water to remove most of the dirt, dry your tool, and store indoors

This product can expose you to chemicals including styrene, which is known to the State of California to cause cancer. For more information go to www.P65Warnings.ca.gov